

Specialty Equipment Designed to Provide the Ultimate in Safety and Efficiency



IC 90 Inflation Station

IC 90 inflator is a new Corghi solution for inflating tires in complete safety, meeting the most stringent standards of ergonomics and safety. Using exclusive techniques patented by Corghi SpA, the inflator is able to handle all types of wheels from 12" to 20". Solidly constructed IC 90 inflation cage operates with the wheel held in a horizontal position, while the various inflator functions are actuated by the operator from the control console.

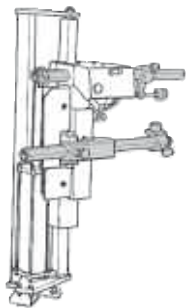
Specifications

- Rim Inflation Capacity 12"-20"
- Maximum Wheel Width 14"
- Maximum Wheel Diameter 36"
- Maximum Wheel Weight 175 lbs
- Wheel Hub Diameter 17"-6,5"
- Working Pressure 145 psi
- Dimensions 42"l x 91"w x 59"h
- Weight 420 lbs

- Steel cage assures maximum safety, even in the event of tire blowout or rim breakage, because it allows inflation to take place only once the wheel is inside the cage.
- Cage is equipped with a T.I. fast bead setting mechanism with adjustable air jet diameter.
- Roller way positioned at a height of 28" makes the operation quicker and easier.
- INFLATRON electronic inflator (optional) reduces inflation times and improves precision.
- TT 100 self-centering transfer (optional) allows a single operator to easily position the wheel on the balancing machine. Weights greater than 65 lbs. according to workplace health and safety regulations require the presence of a second operator.

Corghi Power Assist Units and PAX Accessory Kits

Designed for low-profile run-flat and high-performance tires. Eliminates wheel and tire bead damage and allows a single operator to change even the most difficult tires. Fits Corghi models A2010TI, A2019TI and A2024TI. See catalog page 4 for features and specifications. Provides PAX capability when used with PAX kit.



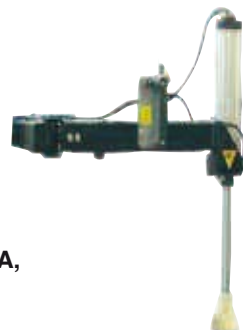
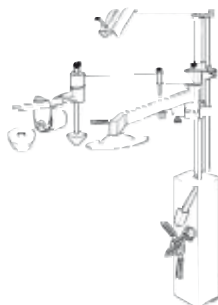
SP2000 Adapter Kit

Models A2019TI and A2024TI

- Produced until March 1999 (ex. S/N 903) Code 244644A
- Produced from April 1999-April 2004 Code 245415A
- Produced from April 2004-May 2004 Code 100026A

PU1500 Power Assist Unit

Allows one operator to change even the most difficult tires on Corghi swing arm/tilt back machines. Provides PAX capability when used with PAX kit No. 100012A.



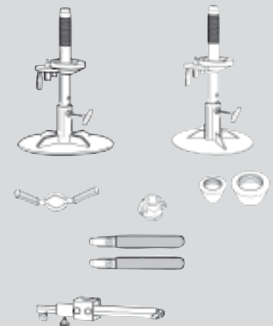
Complete unit consists of No. 100027A, No. 100030A, and No. 100031A.

Fits Corghi Swing Arm Series Articulating Arm Optional

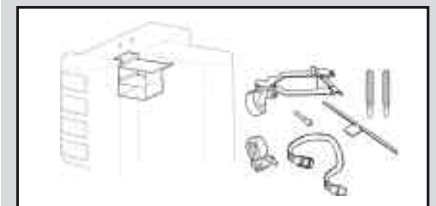
No. 100100A

See page 5

PAX Kit No. 100012A



AM26 Artiglio Master PAX Kit No. 260860A and No. 100021A



Call 800-232-2190 for Your
Specific Kit Number

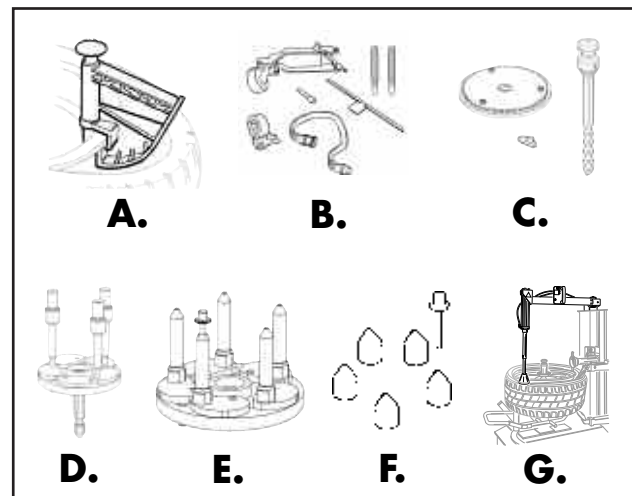
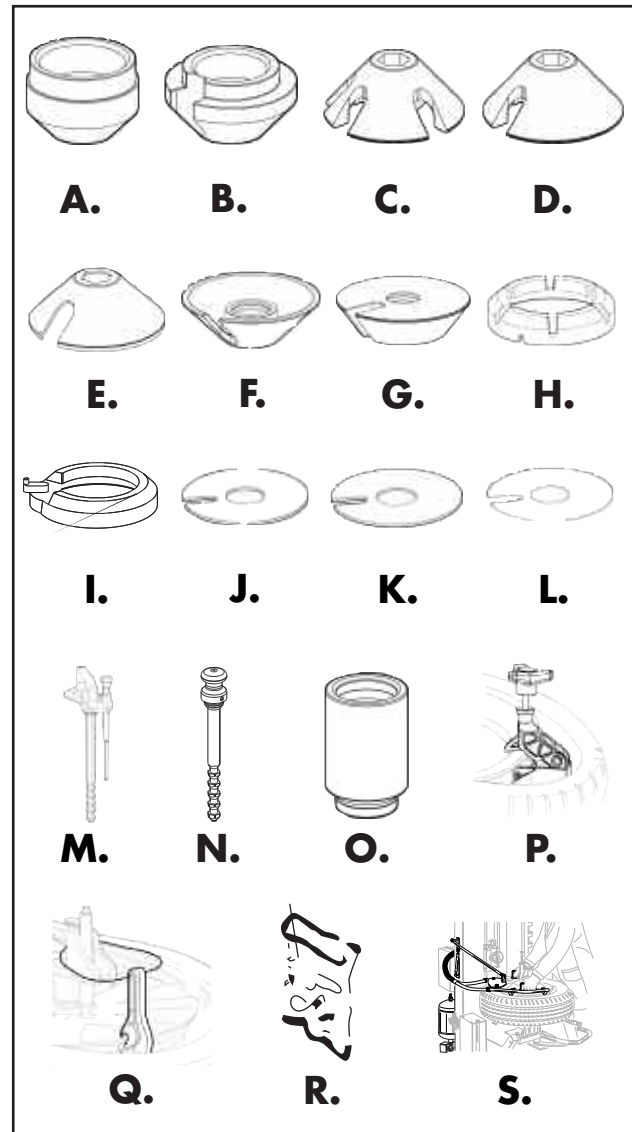
AM26 Artiglio Master Accessories

Standard Accessories

A) Mini Cone (2")	No. 462414
B) Small Cone (3")	No. 462415
C) Universal Cone (4,7") <i>Until production Dic/2004</i>	No. 263161
D) Universal Cone (4,7") <i>Starting production Jan/2005 (S/N CAN021164)</i>	No. 102353
E) Plastic Cone Cover	No. 461668
F) Medium Cone (5,7") <i>Until production Dic/2004</i>	No. 362616
<i>Starting production Jan/2005 (S/N CAN021164)</i>	No. 102346
G) Large Cone (7,3")	No. 461667
H) Light Truck Spacer <i>Until production Dic/2004</i>	No. 263005A
I) Light Truck Spacer <i>Starting production Jan/2005 (S/N CAN021164)</i>	No. 100690A
J) Plastic Reverse Mount Plate <i>Until production Dic/2004</i>	No. 462098A
K) Rubber Reverse Mount Pad <i>Until production Dic/2004</i>	No. 462099A
L) Paper Covers for Reverse Mount Plate <i>Until production Dic/2004</i>	No. 462825
M) Universal Locking Pistol <i>Until production Dic/2004</i>	No. 100512A
N) Locking Pistol <i>Starting production Jan/2005 (S/N CAN021164)</i>	No. 100683
O) Spacer	No. 263436A
P) Drop Center Tool	No. 262417A
Q) knuckle - Style Drop Center Tool	No. 261910A
R) Plastic Insert for M/D Head	No. 461489
S) Inflation Kit	No. 260961A

Optional Accessories

A) Bead Clamp	No. 435685A
B) Pax System Kit	No. 260860 No. 100020A
C) Wire Wheel Adapter <i>Wire Wheel Plate</i>	No. 100009A
<i>Pistol Until Production Dic/2004</i>	No. 100025A
D) Universal Lug Adapter <i>Until Production Dic/2004</i>	No. 263085A
<i>Starting Production Jan/2005 (S/N CAN021164)</i>	No. 100038A
E) Reverse Mount Adapter <i>Until Production Dic/2004</i>	No. 263419A
<i>Starting Production Jan/2005 (S/N CAN021164)</i>	No. 100039A
F) Spacer Set for Reverse Adapter	No. 10046A
G) Articulating Arm	No. 263408A

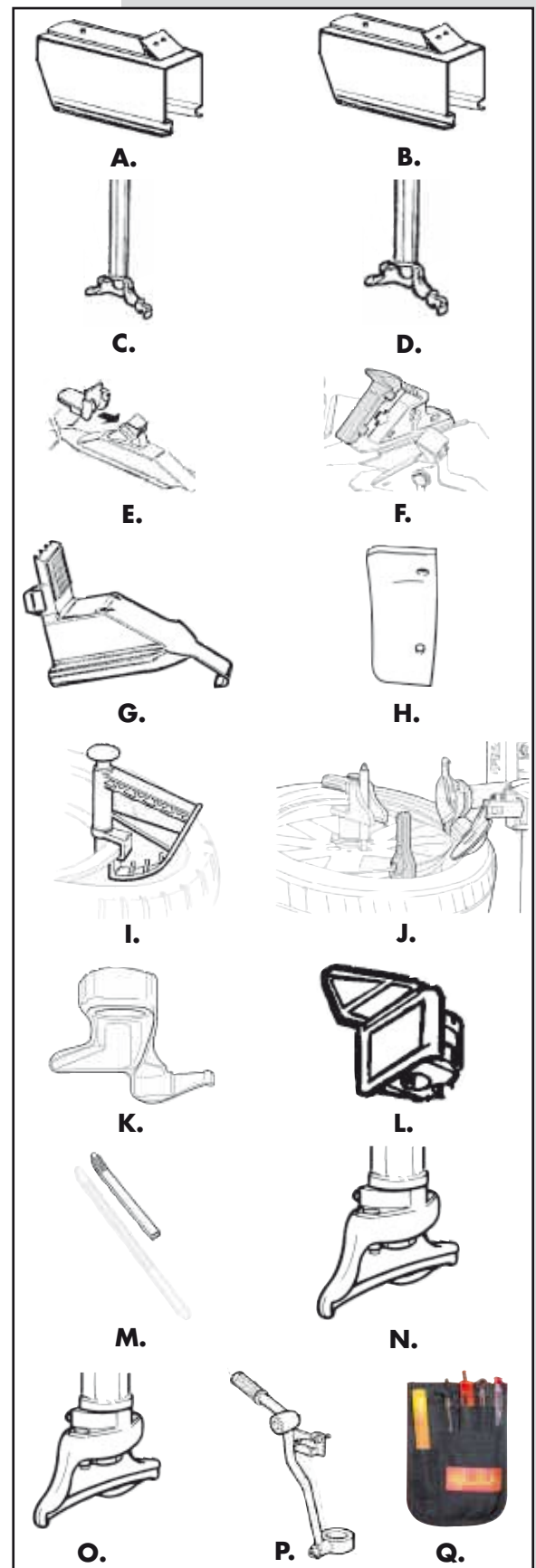


Note: Because of ongoing product improvements, it is necessary to have the model and serial number available when inquiring about accessories or placing an order.

When ordering wheel adapters for Automotive or Motorcycle applications, please provide the model and serial number for the machine.

Optional Tire Changer Accessories

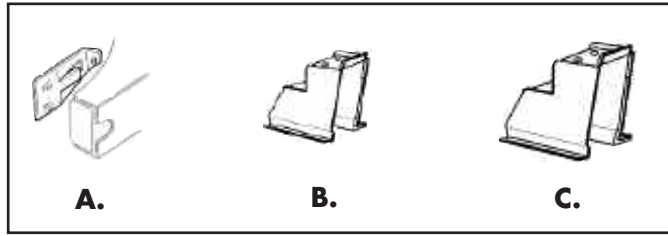
- A) 8"-24" Wheel Adapters
 • 9820 before 010110483
 • 9212 before 010111235
 • 2019 before 9031389
 • 2010 before 9041149
No. 263518A
- B) 8"-24" Wheel Adapters
 • 9820 after 010110483
 • 9212 after 010111235
 • 9220
 • 9824 (Up to 28" wheel)
 • 2019 after 9031389
 • 2010 after 9041149
 *including these serial numbers
No. 263517A
- C) Offset hex shaft for 8"-24" adapters
 *for 2019 and 2024(excludes mount/demount head).
No. 263548A
- D) Offset hex shaft for 8"-24" adapters
 *for MTS series (excludes mount/demount head).
No. 100015A
- E) Plastic Jaw Protectors/Alloy Rim
 • 9820 before 010110483
 • 9212 before 010111235
 • 2019 before 9031389
 • 2010 before 9041149
 *set of 4
No. 243268A
- F) Plastic Jaw Protectors/Alloy Rim
 • 9820 after 010110483
 • 9212 after 010111235
 • 9220
 • 9824
 • 2019 after 9031389
 • 2010 after 9041149
 • 2024
 *including these serial numbers
 *set of 12
No. 8-11100108
- G) Plastic Jaw Protector(Cover Teeth)
 • 9820 after 010110483
 • 9212 after 010111235
 • 2019 after 9031389
 • 2010 after 9041149
 • 9220
 • 9824
 • 2024
 *including these serial numbers
 *set of 12
No. 8-11100109
- H) Bead Breaker Blade Protector
 S/N 000900000 and after (set of 6)
No. 8-11100105
- I) Bead Clamp
No. 435685A
- J) Bead Clamp Contoured Wheels
No. 457181A
- K) Mount/Demount Head (all models)
No. 252083
- L) Plastic Inserts for Mount/Demount Head
 (Set of 10)
No. 8-11100106
- M) Plastic Tire Lever Covers (6)
No. 8-11100104
- N) Plastic Mount/Demount Head
 (Complete Assembly)
No. 250309A
- O) Plastic Mount/Demount Head
 (Replacement Part)
No. 450310A
- P) Bead Depressing Lever
 (9419/9820/9824/9826)
 (9212/9220)
No. 242834A
No. 244645A
- Q) Tire Maintenance Kit
No. 900888A



Tire Changer Optional Accessories

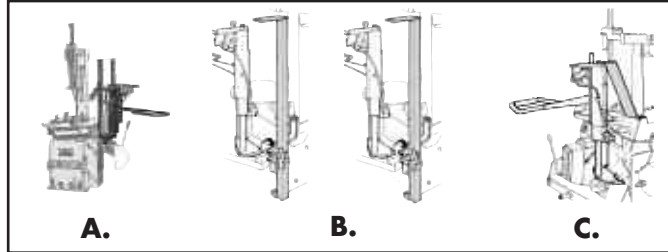
Motorcycle Applications

- | | |
|------------------------------|-------------|
| A) M/C Bead Breaker Blade | No. 260402A |
| B) M/C Adapter (set of 4) | No. 252087A |
| • 9212 before S/N: 010111235 | |
| • 9820 before S/N: 010110483 | |
| • 2019 before S/N: 9031389 | |
| • 2010 before S/N: 9041149 | |
| C) M/C Adapter (set of 4) | No. 258650A |
| • 9212 after S/N: 010111235 | |
| • 2019 after S/N: 9031389 | |
| • 2010 after S/N: 9041149 | |
| • 9820 after S/N: 010110483 | |



EMT/Run Flat Application

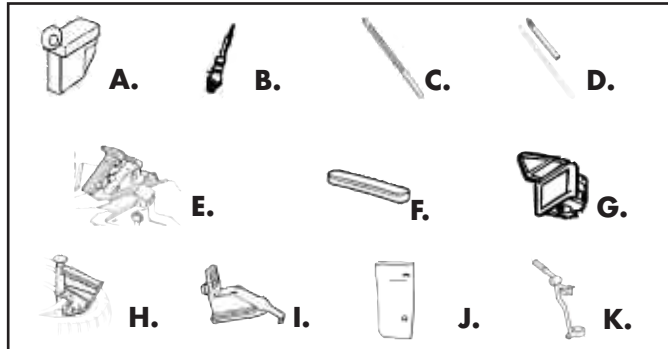
- | | |
|--|-------------|
| A) SP2000 Rotary Bead Presser
2019/Artiglio-10 | No. 255567A |
| B) SP2000 Mounting Kit | |
| • A2019 before S/N: 9031389 | No. 244644A |
| • A2019 after S/N: 9031389 | No. 245415A |
| • A2010 before S/N: 9041149 | No. 244644A |
| • A2010 after S/N: 9041149 | No. 245415A |
| • Mounting Kit for
A2024TI AFTER MAY 2004 S/NCA006524 | No. 100026A |
| C) SP2000 Mounting Kit Artiglio-10 | No. 255679A |



Passenger Car Tire Changer Standard Accessories

Models 9220, 2024, 9824

- | | |
|---|----------------|
| A) Lube Bucket | No. 432825 |
| B) Lube Brush | No. 415248 |
| C) Tire Lever | No. 444238 |
| D) Tire Lever Cover (6) | No. 8-11100104 |
| E) Set of Jaw Protectors (12) | No. 8-11100108 |
| F) M/D Head Bottom Inserts (5) | No. 8-11100107 |
| G) Set of Inserts (10) | No. 8-11100106 |
| H) Bead Clip | No. 435685A |
| I) Jaw Protector for Teeth (12) | No. 8-1100109 |
| J) B/B Blade Protector (6) | No. 8-11100105 |
| K) Bead Pressing Lever* on Machine
except on 9220 and 2024 | No. 242834A |

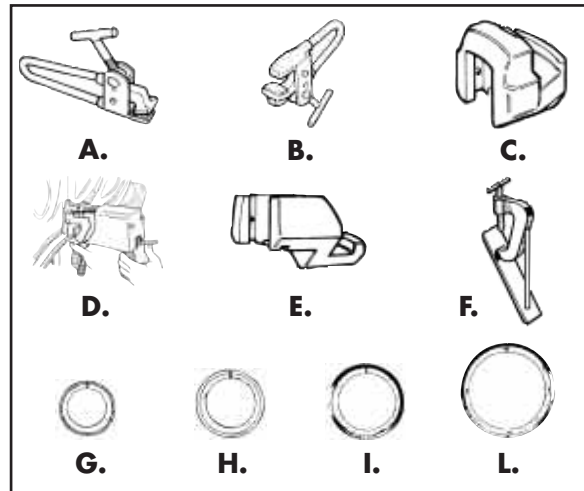


Heavy-Duty Tire Changer Optional Accessories

General Accessory Application

- | | |
|--|-------------|
| A) Long Rim Clamp | No. 224201A |
| B) Aluminum Clamp (All Truck Units) | No. 227195A |
| •C) Alloy Rim Clamps (Set of 4) | No. 260137A |
| D) DV 120 Bead Pressing Arm (Truck Tires) | No. 050500A |
| •E) Adapters for Ag Wheels (Set of 4) | No. 237802A |
| F) Skidder Wheel Clamp | No. 251904A |
| G) Locking Adaptor For Allot Rim \varnothing 161 | No. 210007 |
| H) Locking Adaptor For Allot Rim \varnothing 202 | No. 210008 |
| I) Locking Adaptor For Allot Rim \varnothing 211 | No. 210009 |
| L) Locking Adaptor For Allot Rim \varnothing 281 | No. 210010 |

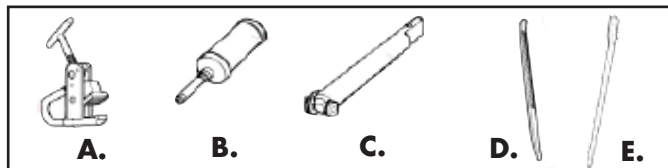
•PRODUCTION UNTIL DIC/2004



Heavy-Duty Tire Changer Standard Accessories

Models AG52 and 1200ECD/ECL-R

- | | |
|------------------------------------|------------|
| A) Rim Pliers | No. 219244 |
| B) Lubricator | No. 435443 |
| C) 36" to 56" Extension (set of 4) | No. 234230 |
| D) Tire Lever | No. 426388 |
| E) Aluminum Bar Lever | No. 236906 |



Note: Because of ongoing product improvements, it is necessary to have the model and serial number available when inquiring about accessories or placing an order. When ordering wheel adapters for Automotive or Motorcycle applications, please provide the model and serial number for the machine.