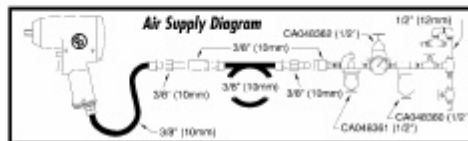
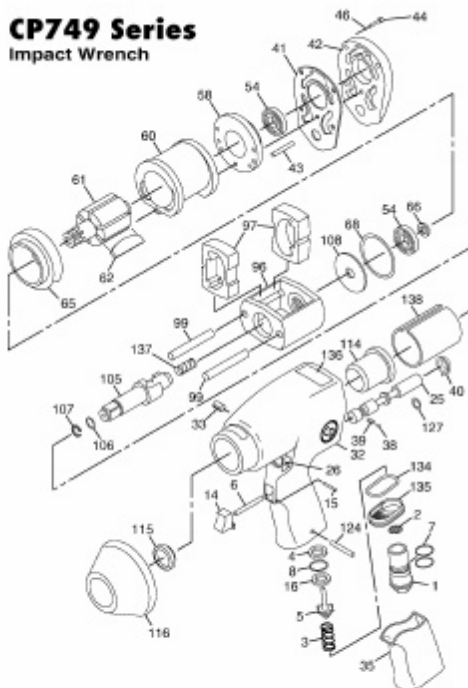


# CP749 Series Impact Wrench



Index No.	Part No.	Description	No. Req'd.
1	CA147022	Bushing-Air Inlet (1/4 in. NPT)	1
2	CA086007	Screen-Air	1
3	CA143464	Spring-Throttle	1
4	CA149006	Spacer	1
5	CA142460	Valve-Throttle	1
6	CA144801	Pin-Throttle Push	1
7	C106001	O-Ring (-017)	2
8	CA149008	O-Ring	1
14	CA147017	Trigger-Throttle	1
15	CA144806	Pin-Tripper	1
16	C126017	Seal-Tripin	1
25	CA147016	Valve-Reverse	1
26	CA147015	Bushing-Reverse Valve (Beam Flushing with 7/16 in. Reamer)	1
32	CA148615	Housing-Motor (incl. Index No. 26, 33, 114, 115)	1
33	9089053	Plug-Pipe (1/16 in. NPT)	1
35	CA149003	Handle-Cover	1
38	9086613	Ball	1
39	CA147021	Spring-Detent	1
40	CA155269	Switch	1
41	CA148612	Gasket-Housing Cover	1
42	CA148602	Cover-Motor Housing	1
43	C085245	Pin-Linear Dowel	1
44	CA088100	Screw-Socket Head	4
46	9021250	Lockwasher	4
54	C050252	Bearing Ball	2
56	KF136298	Plate-Rear End	1
60	CA148607	Linear	1
61	CA148606	Rotor	1
62	CA148605	Set-Rotor Blade (W)	1
65	KF134905	Plate-Front End	1
66	CA087512	Seal-Oil	1
69	C087266	O-Ring	1
98	CA155730	Clutch-Gear	1
97	CA155656	Dog-Clutch	2
99	CA155736	Pin-Clutch	2
105	CA148609	Shank-Arrel (CP749) (incl. Index Nos. 106, 107)	1
	CA148609	Shank-Arrel (CP749-2) (incl. Index Nos. 106, 107)	1
106	P082671	O-Ring (-011)	1
107	CA086007	Retainer-Socket	1
108	CA148608	Washer-Clutch	1
114	CA148611	Bushing-Clutch	1
115	CA148608	Seal-Oil	1
116	CA148626	Shield-Nose	1
124	R069901	Pin-Roll	1
127	CA147018	O-Ring	1
134	CA148706	Grip-Box	1
135	CA147023	Deflector-Exhaust	1
136	CA155779	Decal-Safety Warning	1
137	CA154969	Spring	1
138	CA154960	Sleeve - Steel	1

## Tune-Up Kit (Model B and Model C)

CA148916 (incl. Index Nos. 7, 8, 41, 42, 66, 68, 106, 107, 115, 127, 134)

## Repair Kit (CP749 Model B)

CA148917 (incl. All Parts in Tune-Up Kit Plus Index Nos. 97, 99, 105, 108, 137)

## Repair Kit (CP749-2 Model B)

CA148924 (incl. Index Nos. 7, 8, 41, 52, 95, 96, 105, 106, 107, 115, 127, 134)

## Repair Kit (CP749 Series Model C)

CA155960 (incl. All Parts in Tune-Up Kit Plus Index Nos. 97, 99, 105, 108, 137)