



Premium Series

Air bottle Jacks



Premium Series

Recognizing the demand for high performance work shop products, Winntec sourced the best quality components and developed a range of premium work shop equipment which offers excellent value for money.

Choosing Winntec means choosing certainty in terms of quality, functionality and after sales service. It's the experience which makes the difference !

Reaching new heights in professional shop equipment

In compliance with NEN-EN 1494:2001+A1:2008 

Premium Series

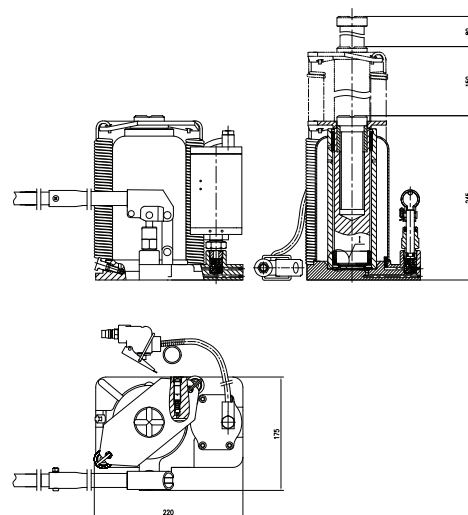
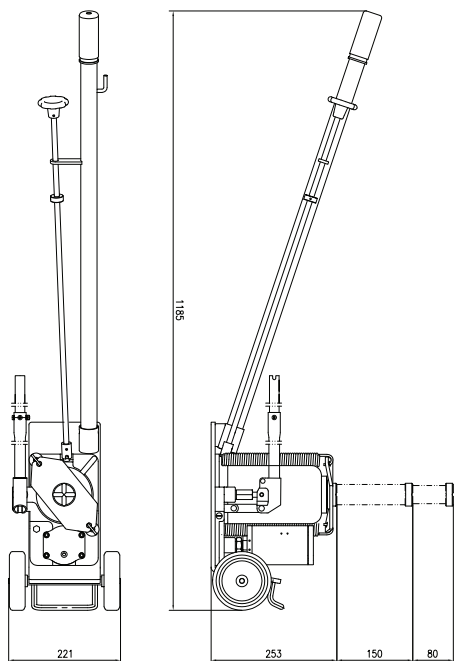
Air bottle Jacks

Premium quality 20 ton air / manual bottle jacks with- or without trolley. These models feature a specially heat treated cylinder wall and chrome piston machined to super exacting tolerances, ensuring premium performance, durability, life and safety. Their aluminum air motor lasts longer and is more reliable than competitive brands. Both models have air filters. The trolley allows you to store the jack vertically.



Y432003 (N.W. 25,7 kg)

Maximum lift capacity 20 T



Y432020 (N.W. 16,5 kg)

Maximum lift capacity 20 T