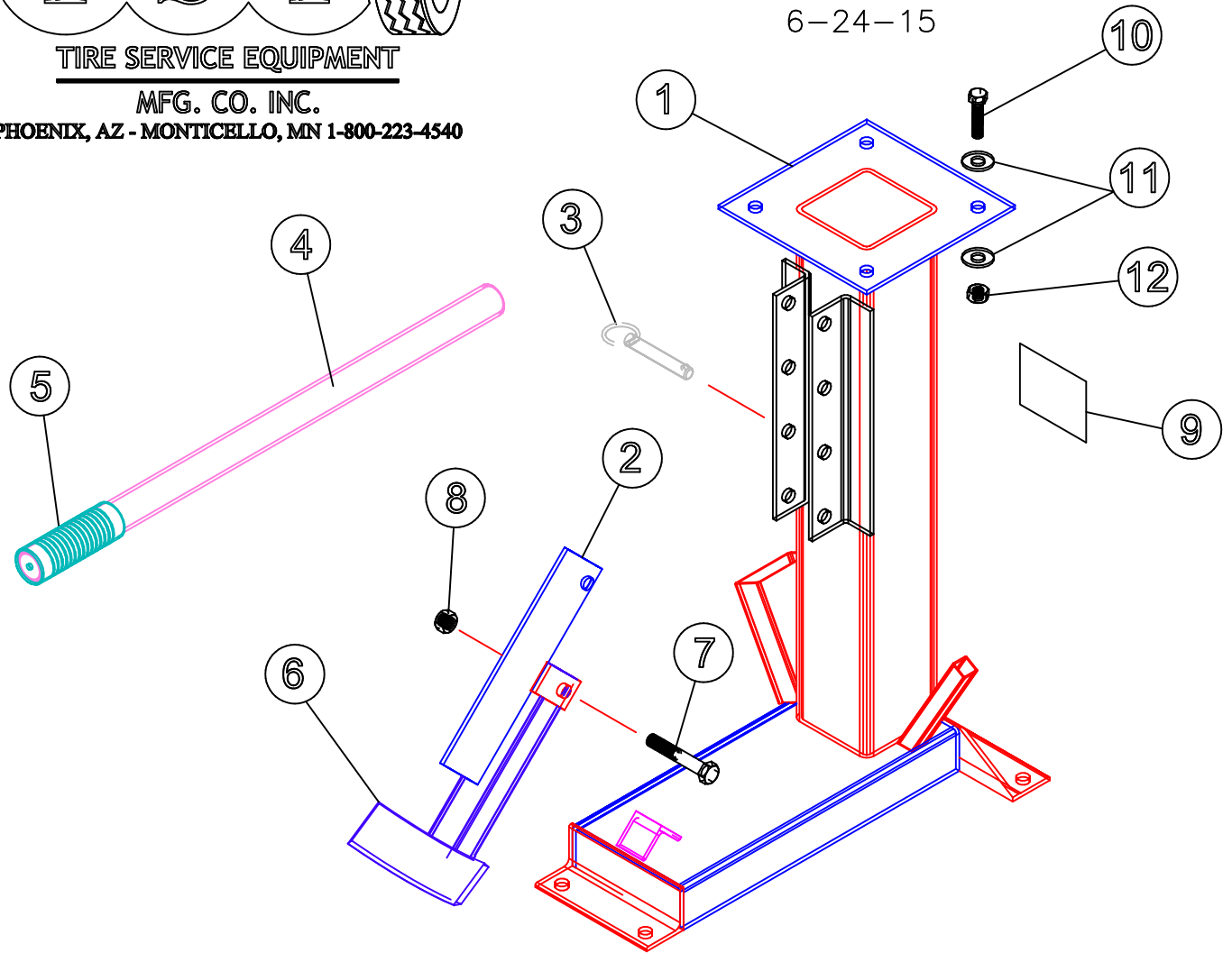


TIRE SERVICE EQUIPMENT

MFG. CO. INC.

PHOENIX, AZ - MONTICELLO, MN 1-800-223-4540

CH-23
TIRE CHANGER STAND
6-24-15



PARTS LIST

ITEM	PART NO.	DESCRIPTION	QTY
1	6019	STAND WELD	1
2	6022	BAR WELD	1
3	4987	PIN, COTTERLESS	1
4	10949	BEAD BREAKER LEVER	1
5	10948	GRIP, HAND	1
6	6023	SHOE WELD	1
7	485	CAP SCREW 1/2-13 X 3	1
8	223	NUT, HEX LOCK 1/2-13	1
9	23.5822	DECAL / CH-23	1
10	1306	HHCS 3/8-16 X 1 GR 5	4
11	4721	WASHER, 3/8 SAE PLATED	8
12	212	NUT, SELF LOCK 3/8-16	4