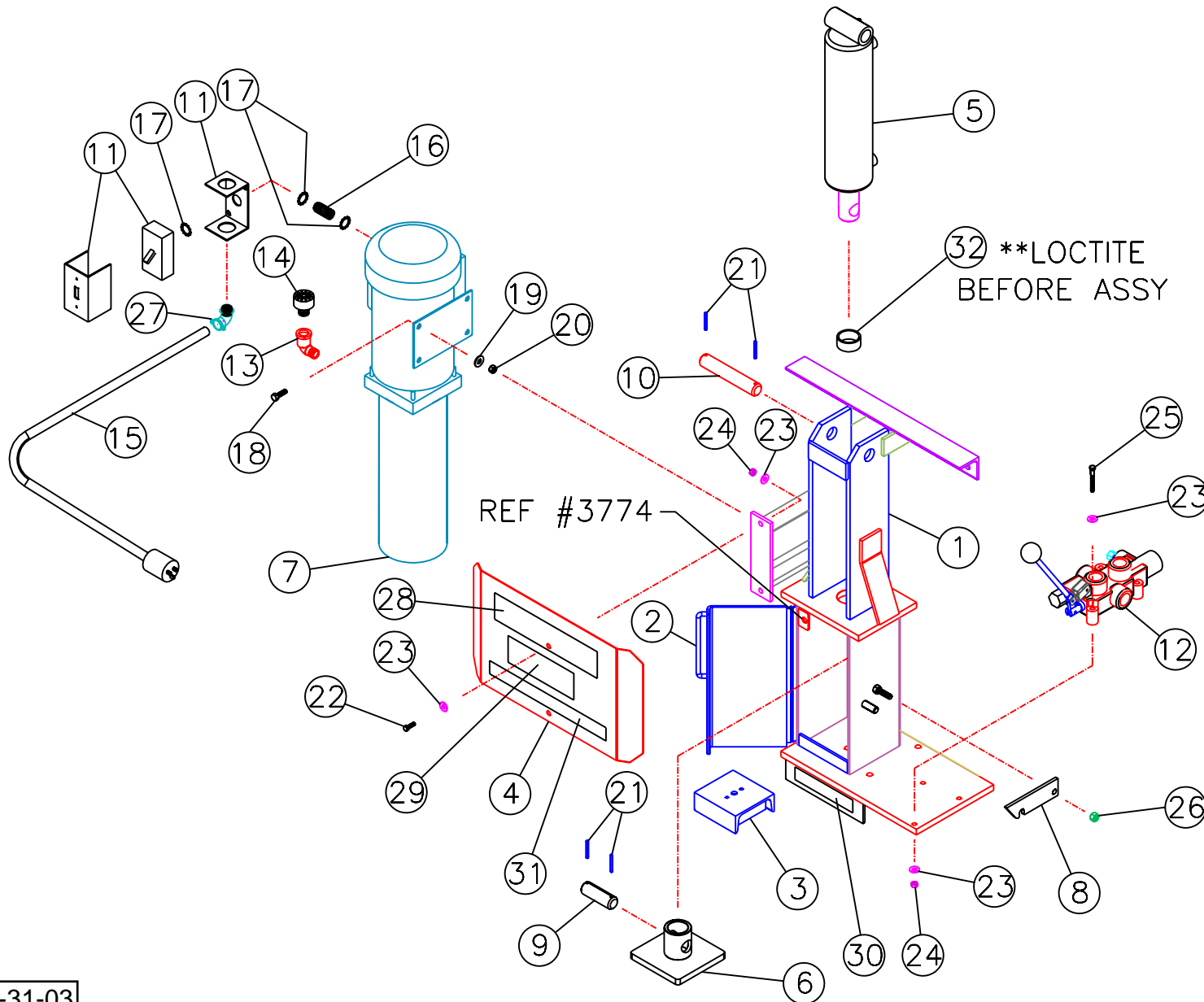


OIL FILTER CRUSHER

 TC-6

 MAIN ASSEMBLY





OIL FILTER CRUSHER
TC-6
MAIN ASSEMBLY

PARTS LIST

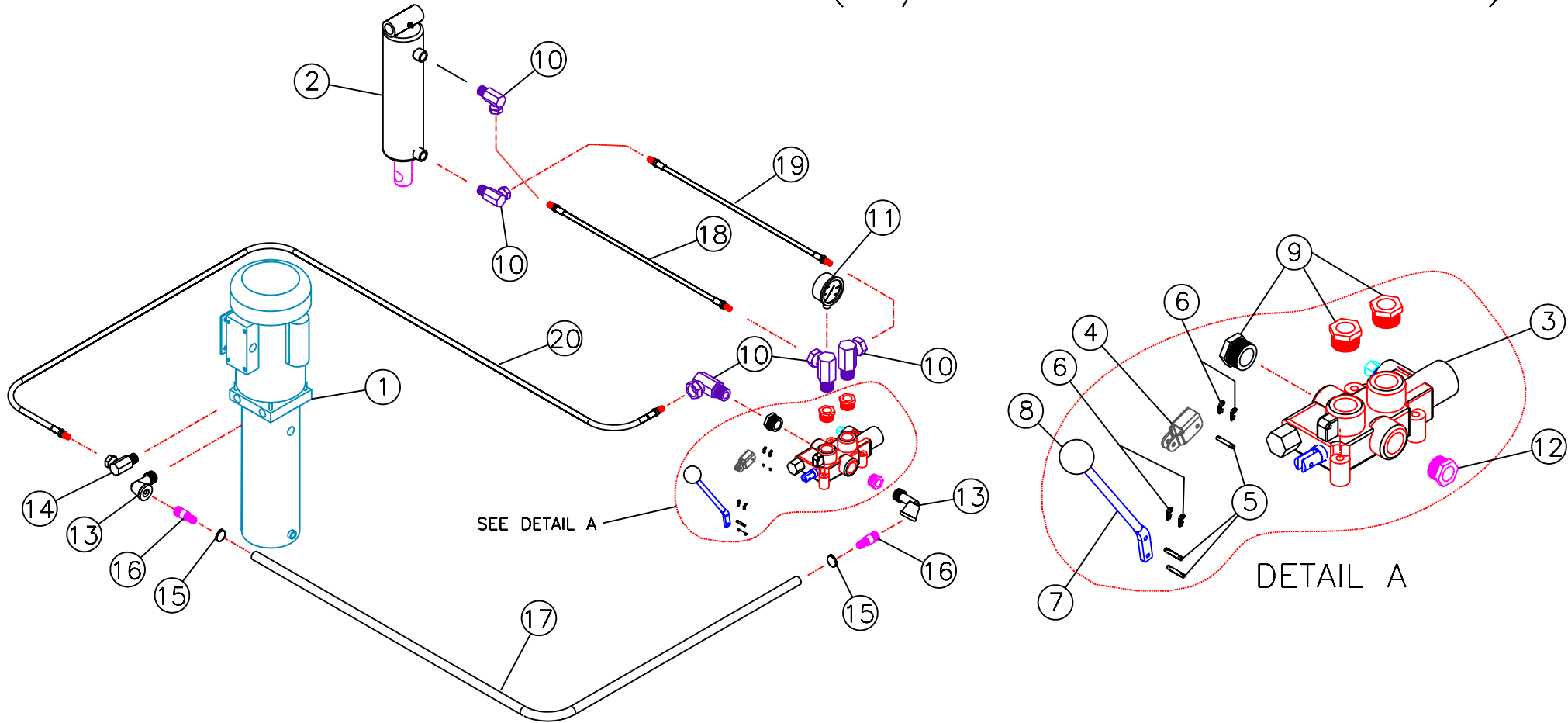
ITEM	PART NO.	DESCRIPTION	QTY
1	5590	MAIN FRAME ASSY	1
2	5730	DOOR WELD	1
3	5688	RISER WELD	1
4	4046	SHEILD	1
5	3639	CYL. HYDRAULIC 3" DIA. BORE X 8" STROKE	1
6	5544	PRESS PLATE WELD	1
7	4000	POWER UNIT	1
8	3771	LATCH, ARM	1
9	3736	PIN, CYLINDER (LOWER)	1
10	3735	PIN, CYLINDER (UPPER)	1
11	3483	SWITCH, SWITCH BOX & COVER	1
12	3020	VALVE, HYDRAULIC	1
13	808	ELBOW, STREET 3/8NPT X 45°	1
14	4000-10	BREATHER	1
15	704	CORD SET, ELECTRIC, 3 COND. 12 AWG W/PLUG	1
16	949	1-1/2NPT CLOSE NIPPLE	1
17	701	LOCK NUT, REGAL CONDUIT 1/2"	3
18	3405	CAP SCREW H H 5/16-18 X 1	4
19	1318	WASHER, FLAT 5/16	8
20	566	NUT, LOCK 5/16	4
21	202	PIN, SPRING 3/16 DIA. X 1-1/2 LG.	4
22	903	CAP SCREW H H 1/4-20 X 3/4 GR2	2
23	445	WASHER, FLAT 1/4	7
24	226	NUT, LOCK 1/4-20	5
25	225	CAP SCREW H H 1/4-20 X 2	3
26	212	NUT, LOCK 3/8-16	1
27	806	CONNECTOR, ELECTRICAL 90°	1
28	4213	DECAL - MODEL NAME	1
29	3031	DECAL - DANGER -WARNING	1
30	3698	DECAL - WASTE OIL DRAIN	1
31	3095	DECAL - DANGER	1
32	3629	BUSHING, BRASS 1-1/2 I.D. FLANGE	1

OIL FILTER CRUSHER

TC-6

HYDRAULIC PARTS LIST

(W/O DOOR SWITCH)





OIL FILTER CRUSHER
 TC-6
 HYDRAULIC PARTS LIST
 (W/O DOOR SWITCH)

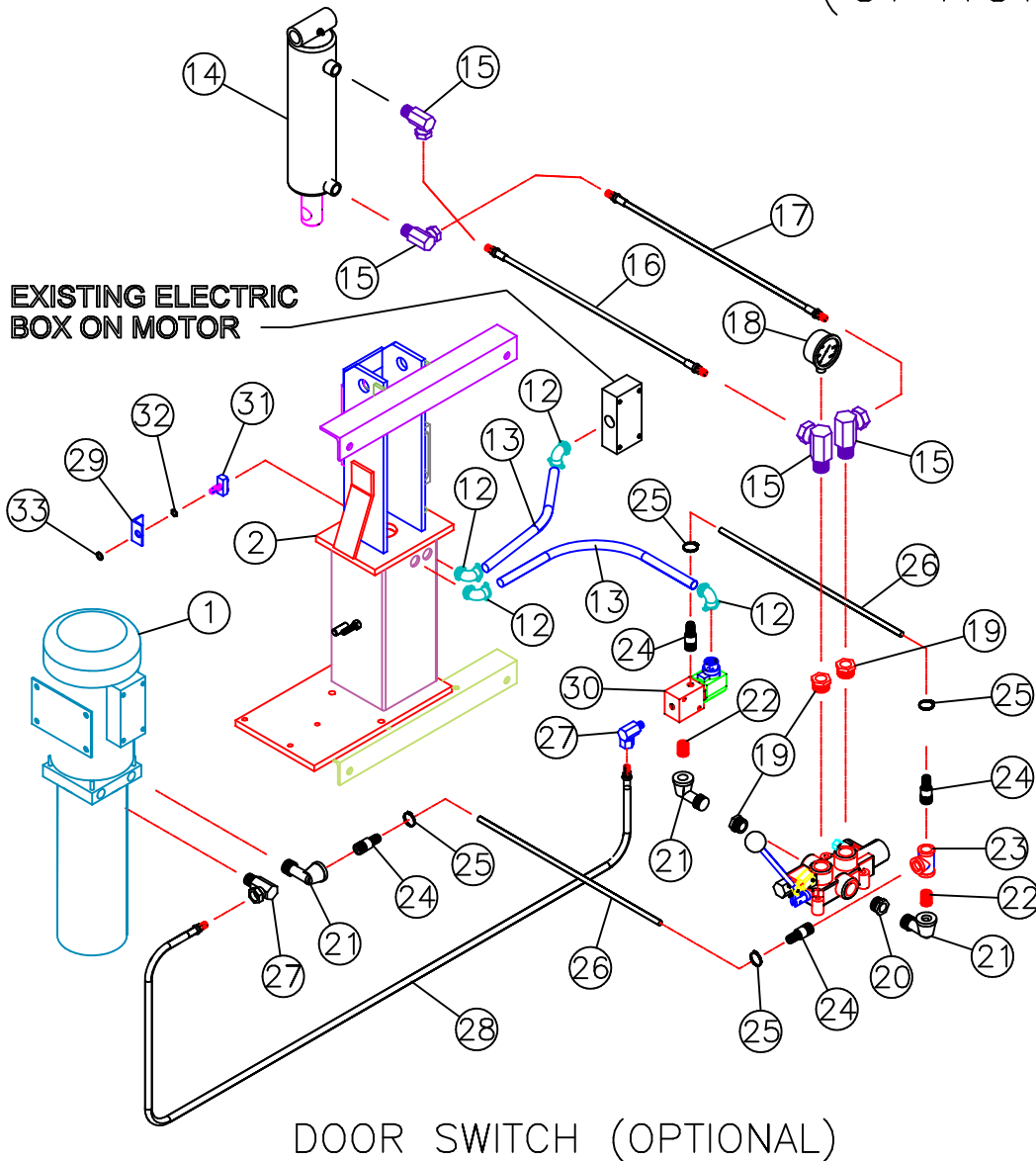
PARTS LIST			
ITEM	PART NO.	DESCRIPTION	QTY
1	4000	POWER UNIT	1
2	3639	CYL, HYDRAULIC 3" DIA. BORE X 8" STROKE	1
3	3020-1	VALVE, HYDRAULIC	1
4	3020-2	LINK, VALVE HANDLE	1
5	3020-3	PIN, CLEVIS	3
6	3020-4	COTTER PIN	4
7	3020-5	HANDLE, VALVE	1
8	3020-6	KNOB, HANDLE	1
9	125	BUSHING, REDUCER 3/4 X 1/2NPT	3
10	3670	SWIVEL ADAPTER 1/2NPT X 3/8 (F) 90°	5
11	3019	GAUGE, PRESSURE	1
12	714	BUSHING, REDUCER 3/4 X 3/8NPT	1
13	713	ELBOW, STREET 3/8NPT X 90°	2
14	3999	ELBOW, HYDRAULIC 1/4NPT (M) X 3/8NPT (F) X 90°	1
15	3088	HOSE CLAMP	2
16	4208	HOSE FITTING - BARBED	2
17	4043	HOSE, POLY BRAID 1/2 I.D. X 30" LG.	1
18	4041	HOSE, HYDRAULIC 3/8 100R2 X 24" LG.	1
19	4040	HOSE, HYDRAULIC 3/8 100R2 X 16" LG.	1
20	4042	HOSE, HYDRAULIC 3/8NPT X 100R2 X 30"LG.	1

OIL FILTER CRUSHER

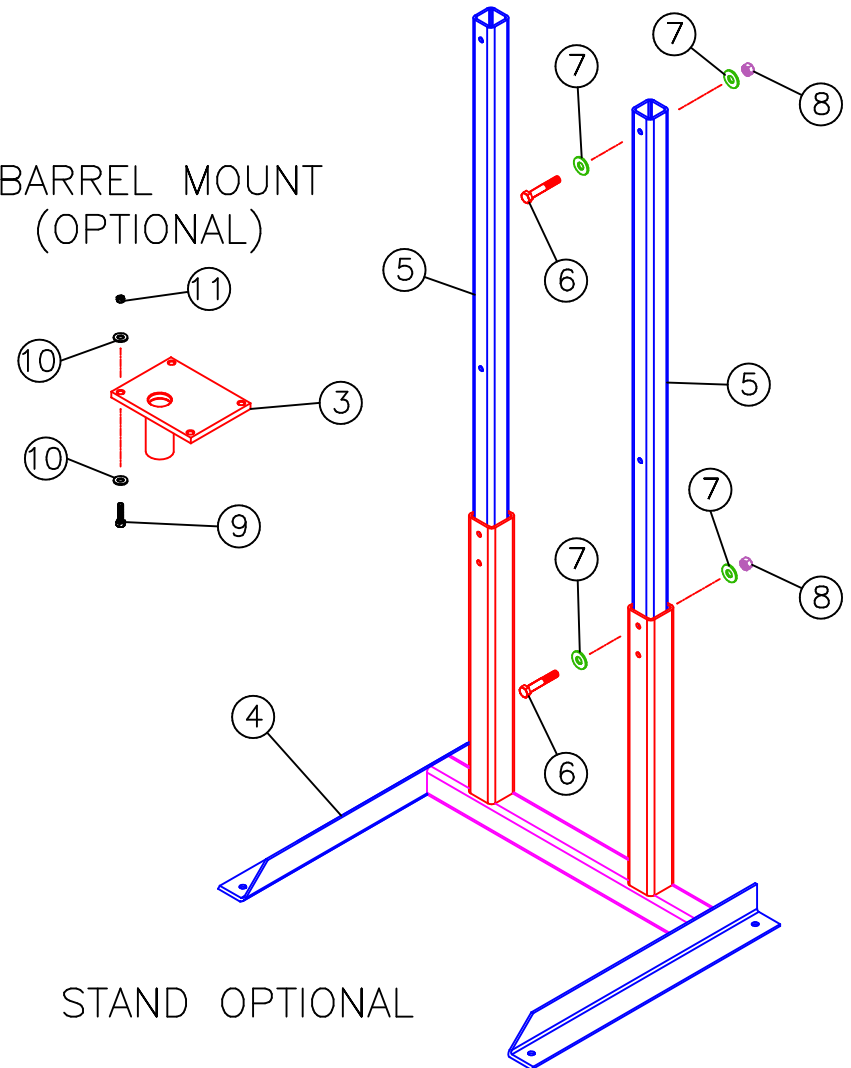
TC-6

(OPTIONAL) PARTS LIST

2-4-15



BARREL MOUNT (OPTIONAL)





PHOENIX, AZ • MONTICELLO, MN 1-800-223-4540

OIL FILTER CRUSHER
 TC-6
 (OPTIONAL) PARTS LIST
 2-4-15

PARTS LIST			
ITEM	PART NO.	DESCRIPTION	QTY
1	4000	POWER UNIT	1
2	5590	MAIN FRAME WELD	1
3	5592	TANK MOUNT WELD (OPTIONAL)	1
4	5838	STAND WELDMENT	1
5	10173	LEG, EXTENSION	2
6	211	CAP SCREW, H H 3/8 X 3	4
7	1318	WASHER, FLAT	8
8	212	NUT, SELF-LOCK	4
9	3500	CAP SCREW, H H 3/8-16 X 1-1/2	4
10	700	WASHER, FLAT 3/8	8
11	566	NUT, LOCK 5/16	4
12	806	CONNECTOR, ELECTRIC 90°	4
13	3927	FLEX CONDUIT	2
14	3639	CYL. HYD. 3" DIA. BORE X 8" STROKE	1
15	3670	SWIVEL ADAPTER 1/2NPT X 3/8 (F) 90°	4
16	4041	HOSE, HYD. 3/8 100R2 X 24" LG.	1
17	4040	HOSE, HYD 3/8 100R2 X 16" LG.	1
18	3019	GAUGE, PRESSURE	1
19	125	BUSHING, REDUCER 3/4NPT X 1/2NPT	3
20	714	BUSHING, REDUCER 3/4 X 3/8NPT	1
21	713	ELBOW, STREET 3/8NPT X 90°	2
22	115	NIPPLE, CLOSE 3/8	2
23	716	TEE 3/8	1
24	4208	HOSE FITTING - BARBED	4
25	3088	HOSE CLAMP	4
26	4043	HOSE, POLY BRAID 1/2 I.D. X 30" LG.	2
27	3999	ELBOW, HYD. 1/4NPT (M) X 3/8NPT (F) 90°	1
28	4042	HOSE, HYD. 3/8NPT X 100R2 X 30" LG.	1
29	3774	BRACKET, SWITCH	1
30	3775	SOLENOID, VALVE SWITCH	1
31	10645-1	SWITCH, PUSH BUTTON	1
32	10645-2	NUT, HEX	1
33	10645-3	NUT, KNURLED	1